

ESP

360-degree situational awareness and comprehensive protection against all types of anti-tank guided missiles

Sense Respond Strike



ESP

360-degree situational awareness and comprehensive protection against all types of anti-tank guided missiles

ATGMs - A major threat to all fighting vehicles

Anti-tank guided missiles (ATGM) pose a significant threat to all fighting vehicles. Lethal, portable and effective over long ranges, ATGMs have powerful warheads that can penetrate thick, steel armor. On the battlefield, during peace-keeping missions and in asymmetric conflicts, ATGMs present an increasingly urgent threat to armed forces worldwide.

Maximum survivability - A broad range of sensors and counter-measures

Elbit Systems' ESP protects armored fighting vehicles (AFV) and main battle tanks (MBT) against all ATGMs. Housed in a single integrated unit, ESP is comprised of a broad range of sensors, warning systems and countermeasures. Supporting effective evasive action and strike-back, ESP immediately alerts personnel to all incoming threats. Fully automated, the suite successfully defeats the incoming threat, protecting the vehicle and

crew from harm.

360-degree situational awareness under closed hatches

Incorporating Elbit Systems' See-Through-Armor (STA) revolutionary observation system, ESP enables users to gain 360 degree, real-time observation under closed hatches day or night. ESP can be fully integrated with the company's extensive range of complimentary battle management and fire control systems. The suite is fully customizable and adaptable to a wide array of fighting vehicles. ESP's unique single-point installation and minimal maintenance requirements make it both easy-to-use and extremely cost-effective.

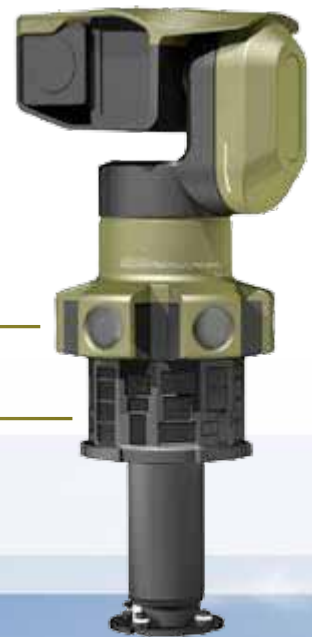


Sense Respond Strike

EO & Counter-Measures Module

ATGM Launching Detection
& 360 Panoramic View

Laser Warning System



ESP

360-degree situational awareness and comprehensive protection against all types of anti-tank guided missiles

Key Features

- Elbit Laser Warning System
- ATGM launch detection and early warning system
- Panoramic 360-degree observation system (STA)
- Day and night electro-optical observation module
- Full range of countermeasures
- Open system architecture – upgradable with additional sensors

Operational Benefits

- Detection of all types of ATGMs
- Comprehensive protection
- Full situational awareness under closed hatches
- Long-range target recognition and acquisition
- Fully integrated with vehicle systems and remote weapon stations
- Cost-effective, single-point installation and minimal maintenance

